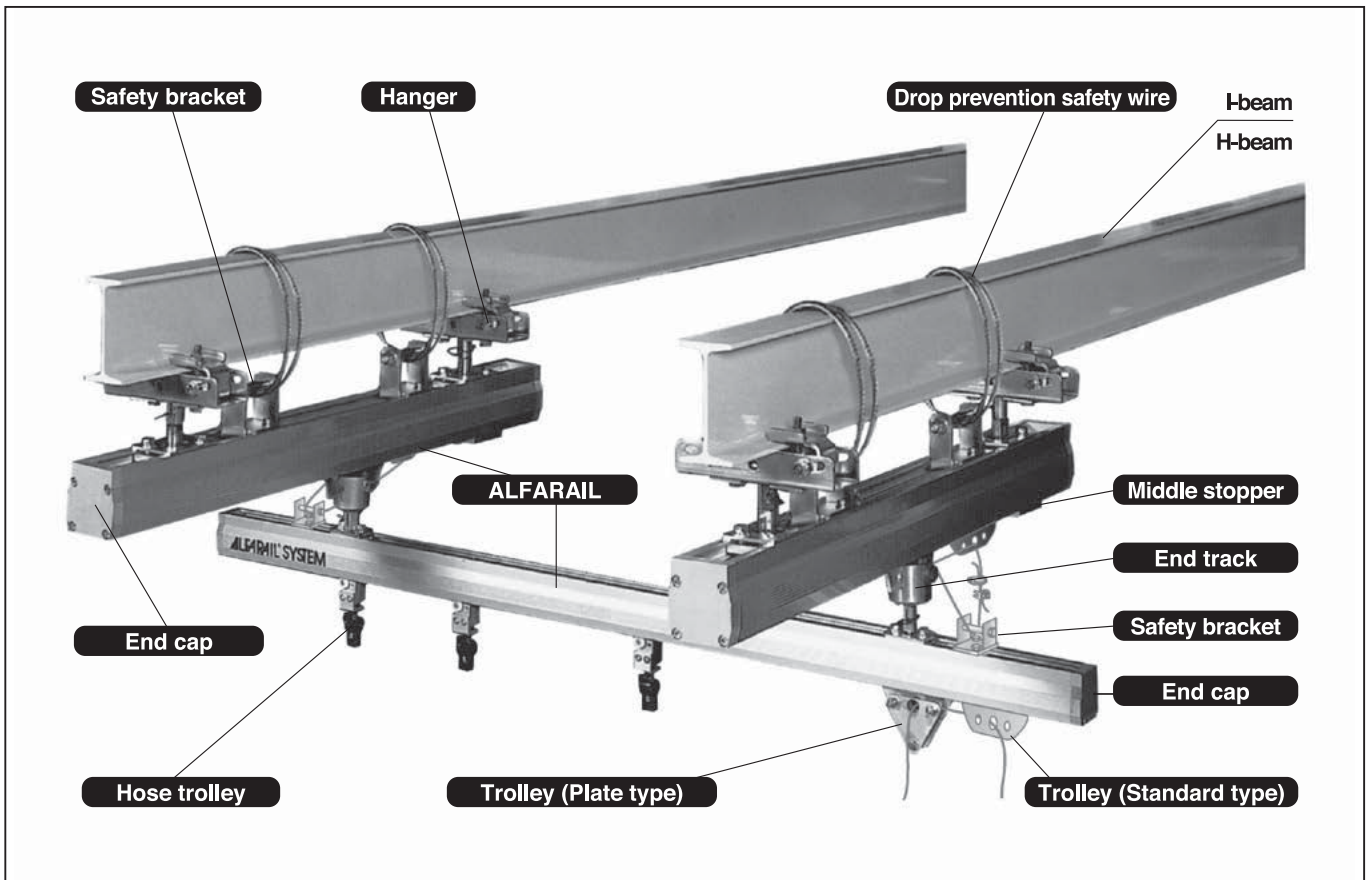


ALFA RAIL SYSTEM[®]

STANDARD HANGING BRACKET LIST



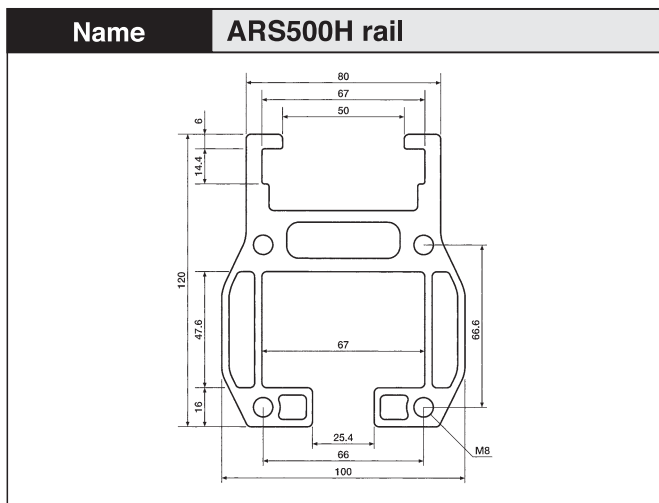


* This photo is only to show the components.
 * Do not connect the traverse rails.
 * Attach the safety bracket to both ends of each rail.

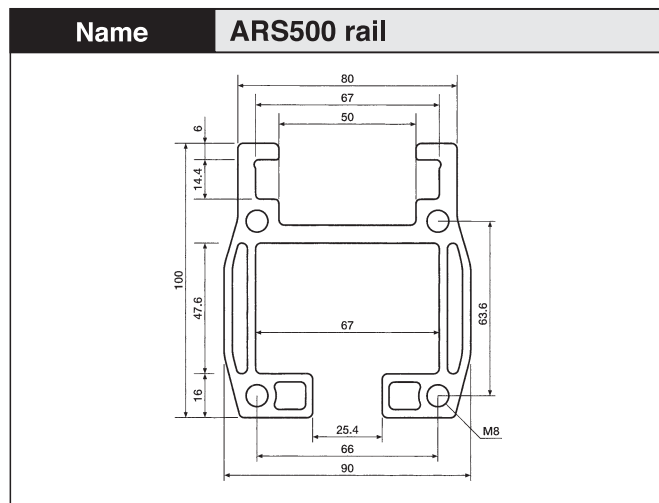
Mechanical properties of A6063S-T5 (205)		
Tensile properties	Tensile strength	225MPa
	Yield Strength	205MPa
	Elongation	8% (1.6mm thick)
Brinell hardness	75 (10/500)	
Shear strength	120MPa	
Fatigue strength	70MPa (Rotary bending for 5x10 ⁸ , times at 10,000rpm)	
Modulus of longitudinal elasticity	68,000MPa	

Cut length	
1m	ARS□□□-AR1.□□□
2m	ARS□□□-AR2.□□□
3m	ARS□□□-AR3.□□□
4m	ARS□□□-AR4.□□□
5m	ARS□□□-AR5.□□□
6m	ARS□□□-AR6.□□□

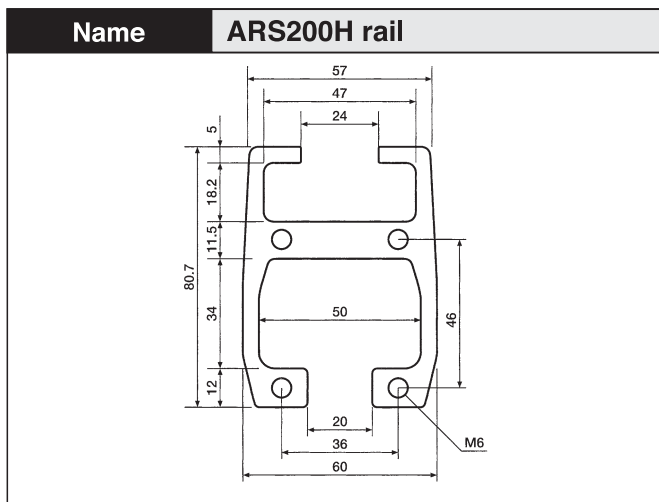
* Write the series name in □□□, and the rail length (m) in AR-□.□□□.



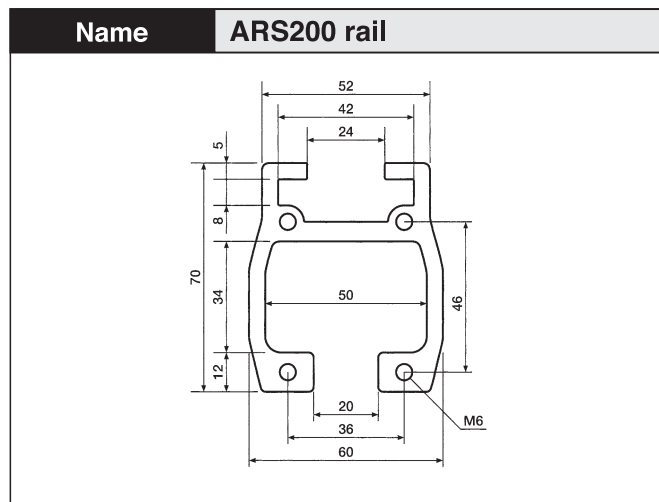
Surface treatment	Alumite (9μ) + Clear coating (7μ)	Material	A6063S-T5 (205)
Geometric moment of inertia	$I_x=383.3 \times 10^4$ $I_y=337.6 \times 10^4$	Unit weight	8.5Kg/m



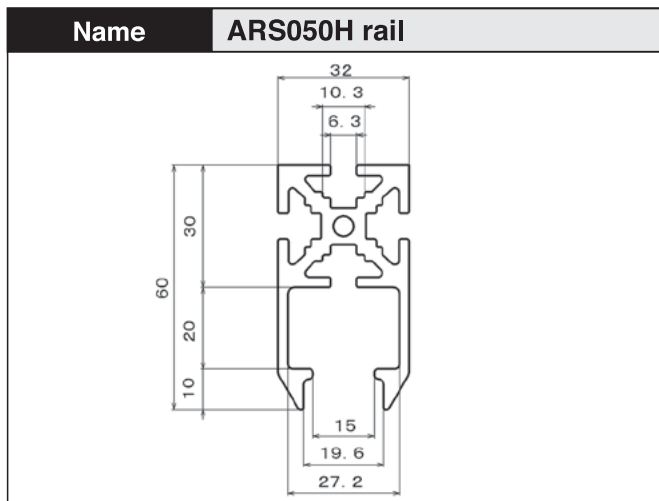
Surface treatment	Alumite (9μ) + Clear coating (7μ)	Material	A6063S-T5 (205)
Geometric moment of inertia	$I_x=223.5 \times 10^4$ $I_y=209.0 \times 10^4$	Unit weight	5.8Kg/m



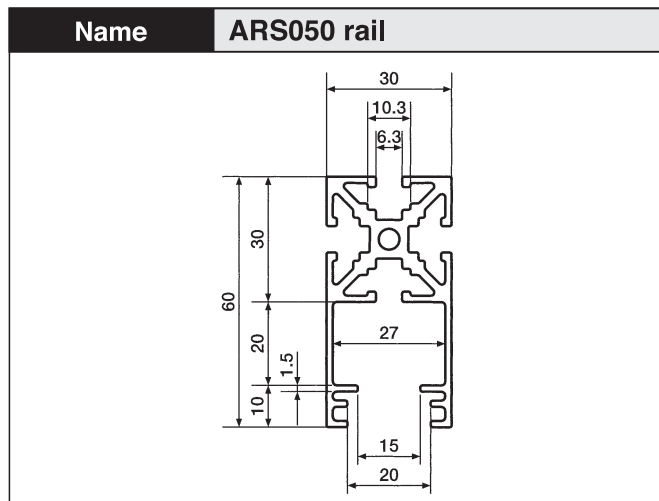
Surface treatment	Alumite (9μ) + Clear coating (7μ)	Material	A6063S-T5 (205)
Geometric moment of inertia	$I_x=99.3 \times 10^4$ $I_y=80.6 \times 10^4$	Unit weight	4.7Kg/m



Surface treatment	Alumite (9μ) + Clear coating (7μ)	Material	A6063S-T5 (205)
Geometric moment of inertia	$I_x=67.1 \times 10^4$ $I_y=61.4 \times 10^4$	Unit weight	3.6Kg/m



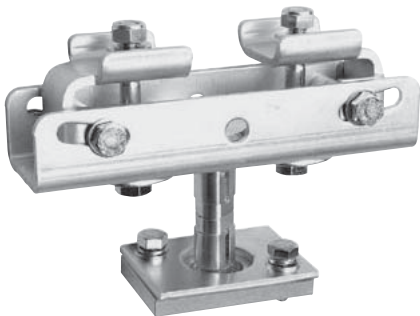
Surface treatment	Alumite (9μ) + Clear coating (7μ)	Material	A6063S-T5 (205)
Geometric moment of inertia	$I_x=19.1 \times 10^4$ $I_y=8.2 \times 10^4$	Unit weight	1.8kg/m



Surface treatment	Alumite (9μ) + Clear coating (7μ)	Material	A6063S-T5 (205)
Geometric moment of inertia	$I_x=14.3 \times 10^4$ $I_y=5.5 \times 10^4$	Unit weight	1.3Kg/m

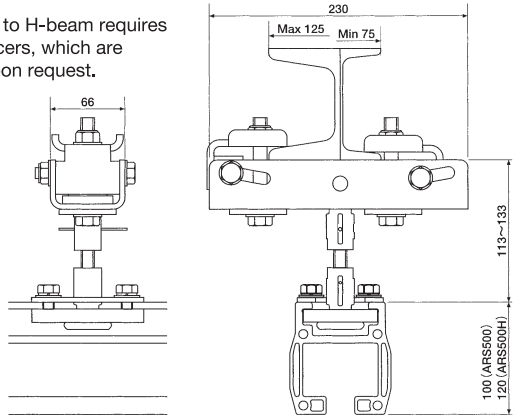
ARS500 Series

Name Hanger	Model ARS500-HN1
--------------------	-------------------------

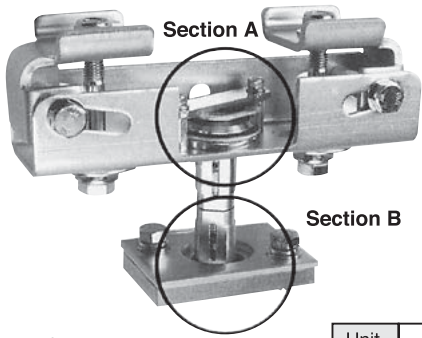


Standard type	Unit weight 3.5Kg
---------------	-------------------

Attachment to H-beam requires hanger spacers, which are available upon request.

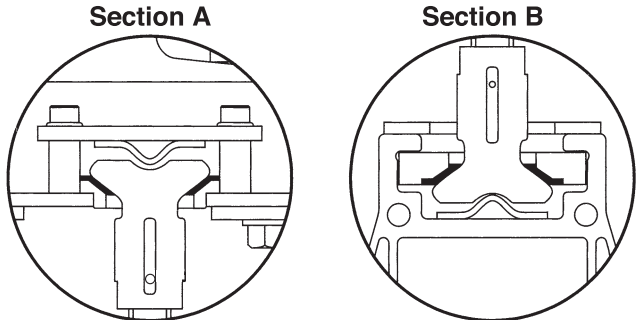


Name Hanger	Model ARS500-HN1-F
--------------------	---------------------------

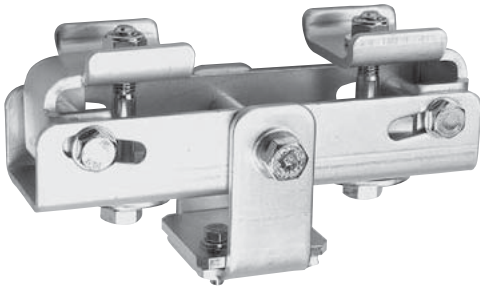


Standard lift-preventive type	Unit weight 3.7Kg
-------------------------------	-------------------

Attachment to H-beam requires hanger spacers, which are available upon request.

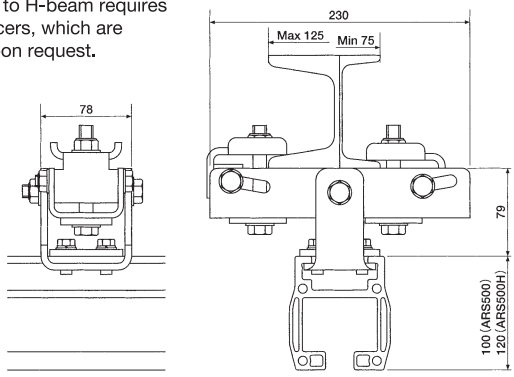


Name Hanger	Model ARS500-HN2
--------------------	-------------------------




Parallel type	Unit weight 3.1Kg
---------------	-------------------

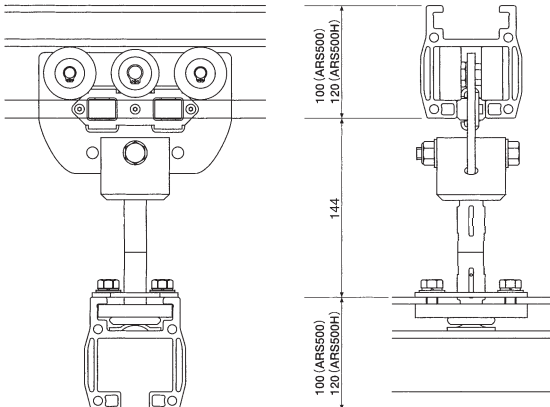
Attachment to H-beam requires hanger spacers, which are available upon request.



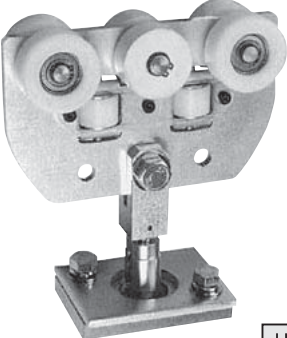
Name End track	Model ARS500-ET4B
-----------------------	--------------------------



Both-side hinge type	Unit weight 3.1Kg
----------------------	-------------------

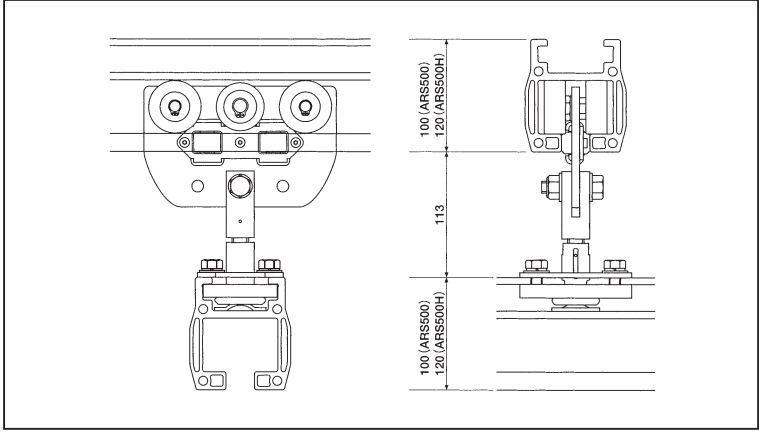


Name	End track	Model	ARS500-ET5A
-------------	-----------	--------------	-------------

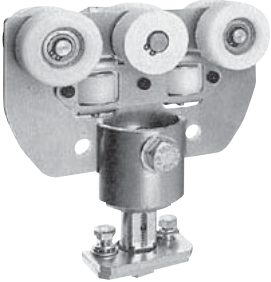


One-side hinge type

Unit weight	2.6Kg
--------------------	-------

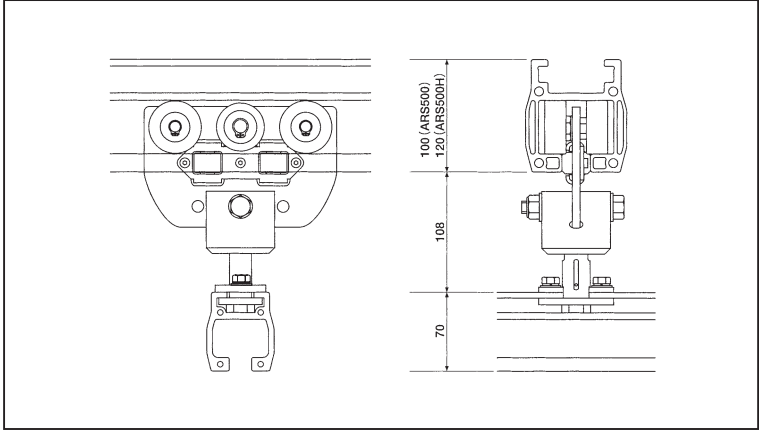


Name	End track	Model	ARS500-ET6A
-------------	-----------	--------------	-------------

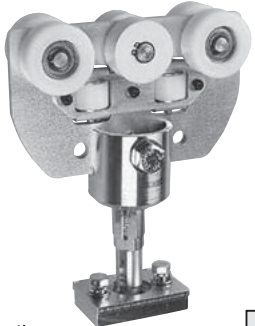


500 rail & 200 rail

Unit weight	2.4Kg
--------------------	-------

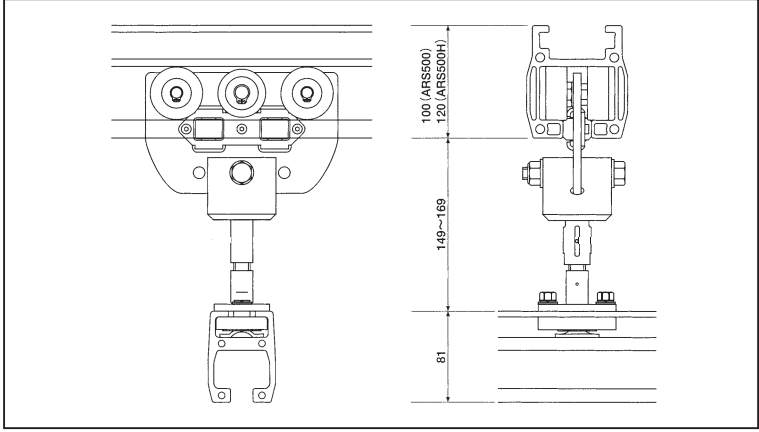


Name	End track	Model	ARS500-ET7A
-------------	-----------	--------------	-------------

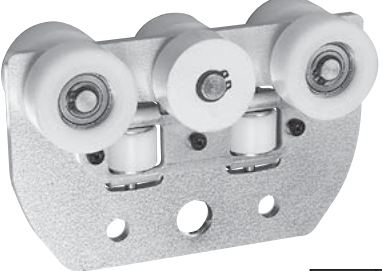


500 rail & 200 rail

Unit weight	2.6Kg
--------------------	-------

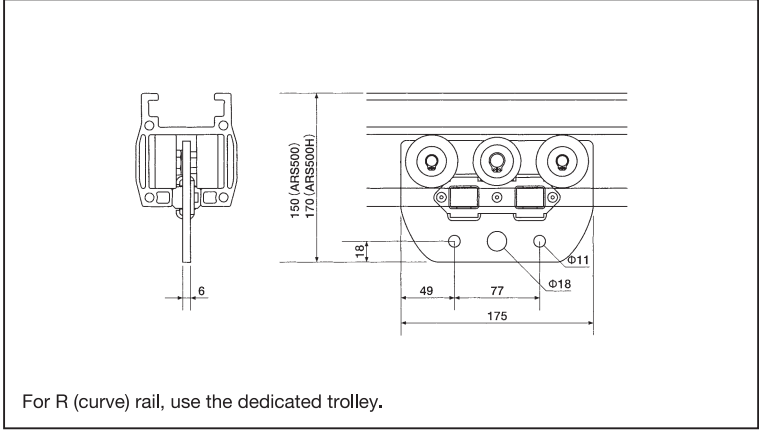


Name	Trolley	Model	ARS500-TR3A
-------------	---------	--------------	-------------



Standard type

Unit weight	1.3Kg
--------------------	-------



Name Trolley **Model** ARS500-TR4A

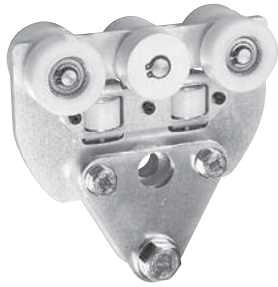
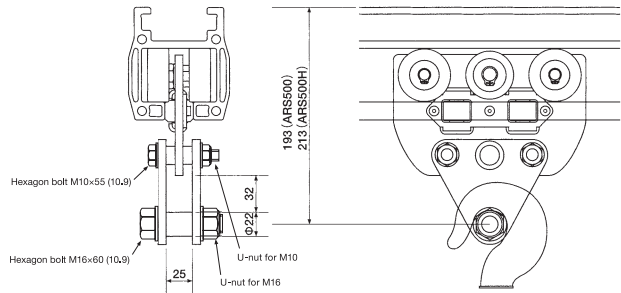


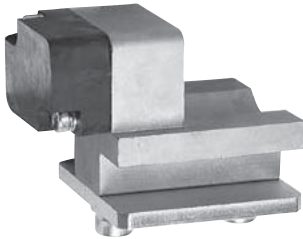
Plate type

Unit weight 2.1Kg



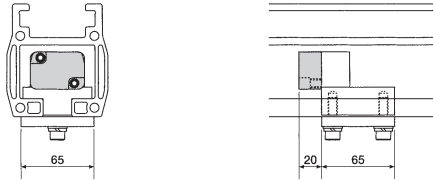
For R (curve) rail, use the dedicated trolley.

Name Middle stopper **Model** ARS500-MS2

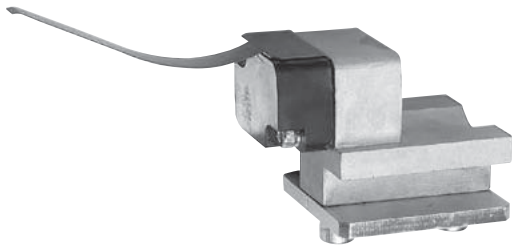


Standard type

Unit weight 0.9Kg

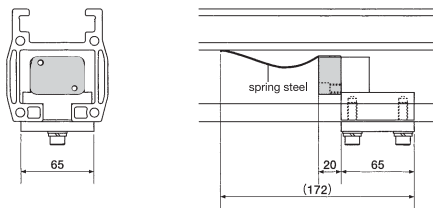


Name Middle stopper **Model** ARS500-MS3

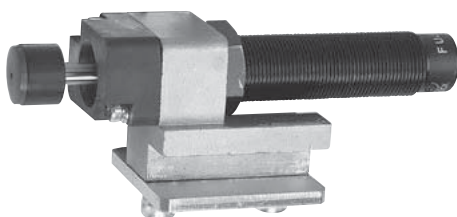


Brake type

Unit weight 0.9Kg

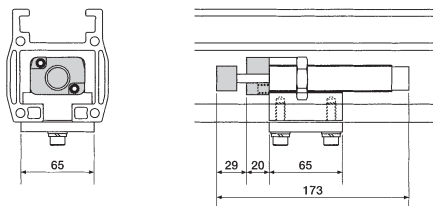


Name Middle stopper **Model** ARS500-MS4

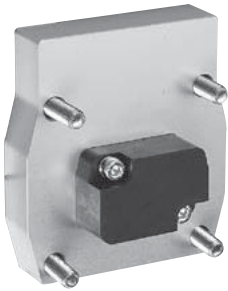


Damper type

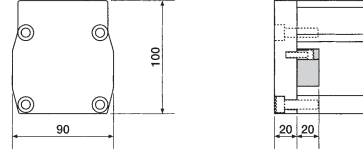
Unit weight 1.3Kg



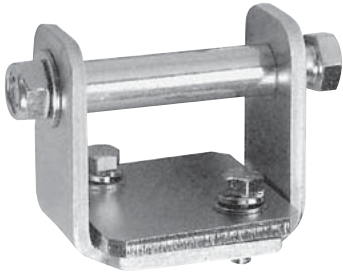
Name End cap **Model** ARS500-EC1



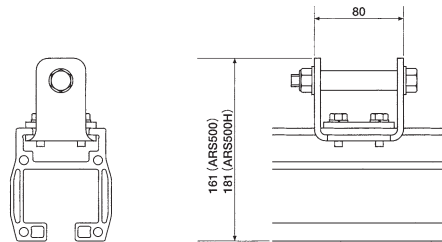
Unit weight 0.5Kg



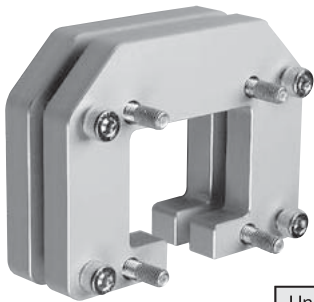
Name Safety bracket **Model** ARS500-SJ1



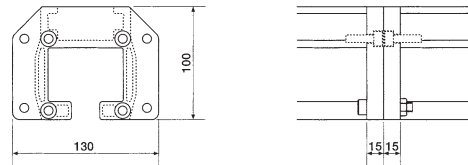
Unit weight 0.8Kg



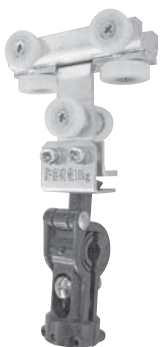
Name Connection kit **Model** ARS500-CN1A



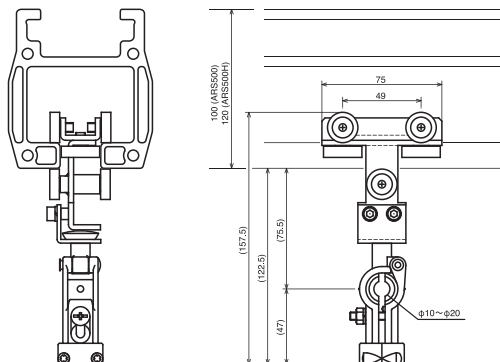
Unit weight 0.8Kg



Name Hose trolley **Model** ARS500-HT4

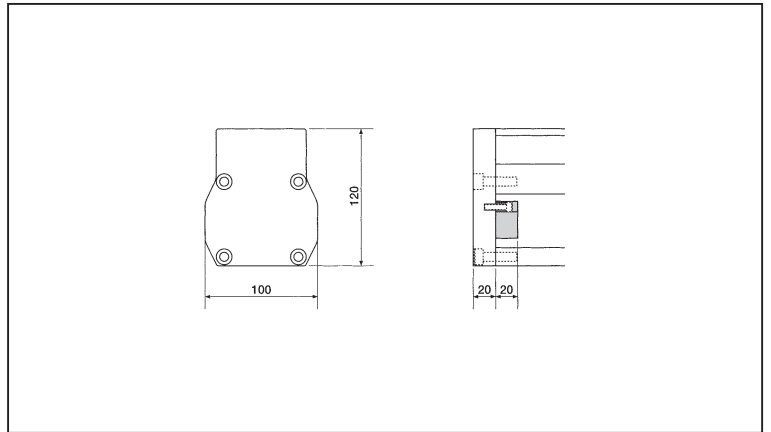


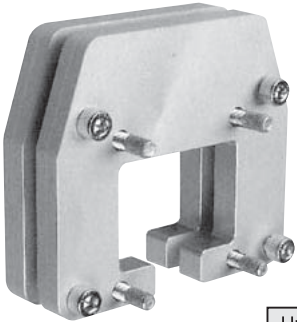
Unit weight 0.3Kg

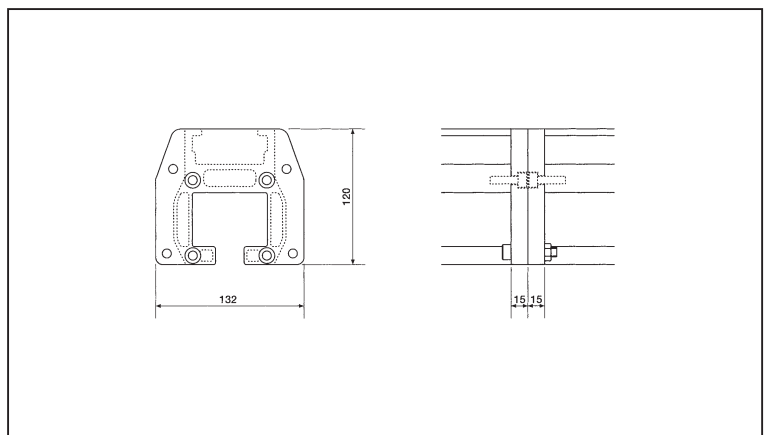


ARS500H Series

Name	End cap	Model	ARS500H-EC1
			
Unit weight	0.6Kg		

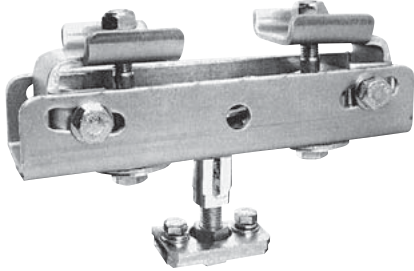


Name	Connection kit	Model	ARS500H-CN1
			
Unit weight	1.1Kg		



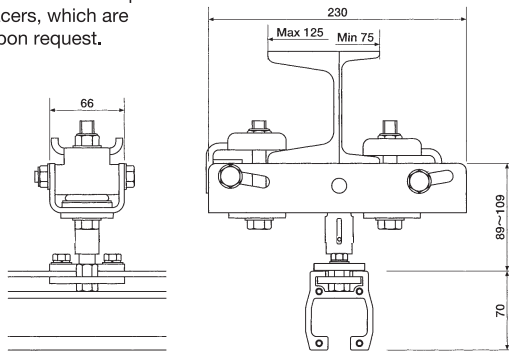
ARS200 Series

Name Hanger	Model ARS200-HN1
--------------------	-------------------------

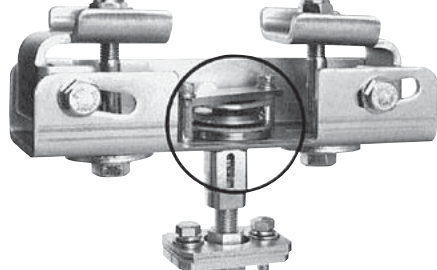


Standard type	Unit weight 2.8Kg
---------------	-------------------

Attachment to H-beam requires hanger spacers, which are available upon request.

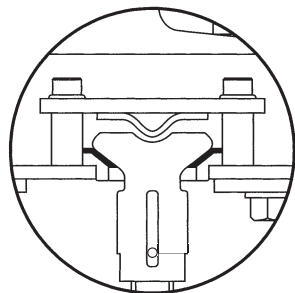


Name Hanger	Model ARS200-HN1-F
--------------------	---------------------------

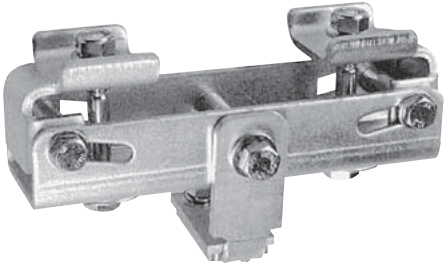


Standard lift-preventive type	Unit weight 2.9Kg
-------------------------------	-------------------

Attachment to H-beam requires hanger spacers, which are available upon request.

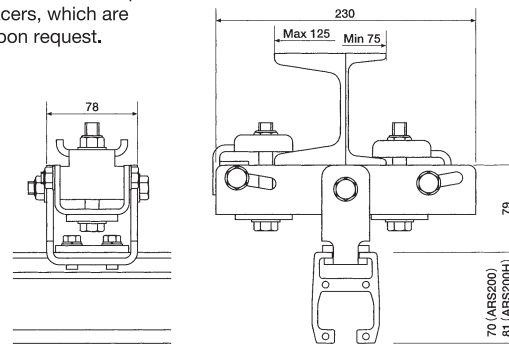


Name Hanger	Model ARS200-HN2
--------------------	-------------------------



Parallel type	Unit weight 2.9Kg
---------------	-------------------

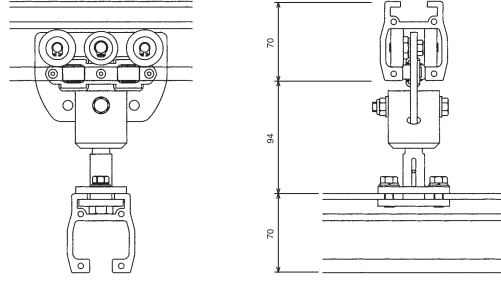
Attachment to H-beam requires hanger spacers, which are available upon request.



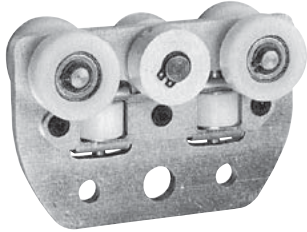
Name End track	Model ARS200-ET5
-----------------------	-------------------------



One-side hinge type	Unit weight 1.2Kg
---------------------	-------------------

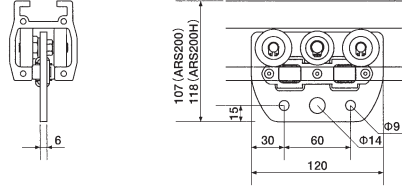


Name Trolley **Model** ARS200-TR3



Standard type

Unit weight 0.6Kg



For R (curve) rail, use the dedicated trolley.

Name Trolley **Model** ARS200-TR4

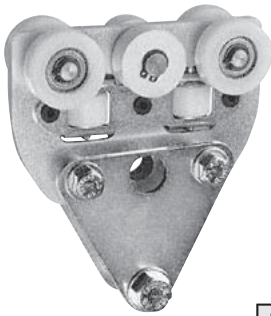
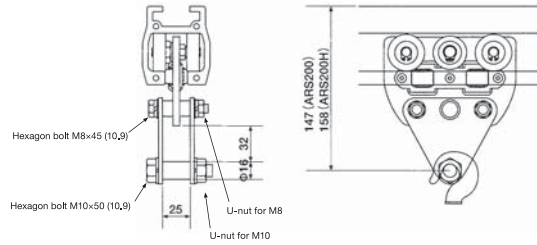


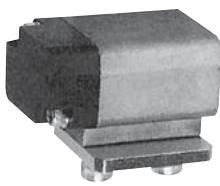
Plate type

Unit weight 0.9Kg



For R (curve) rail, use the dedicated trolley.

Name Middle stopper **Model** ARS200-MS2

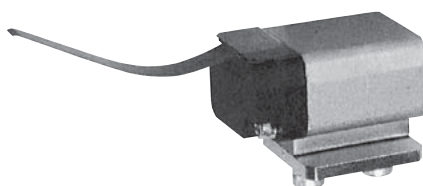


Standard type

Unit weight 0.7Kg

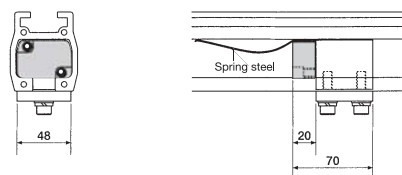


Name Middle stopper **Model** ARS200-MS3

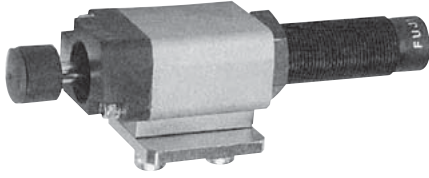


Brake type

Unit weight 0.7Kg

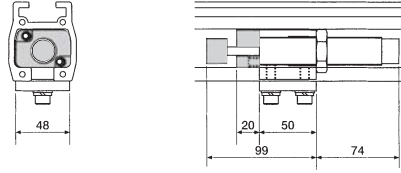


Name Middle stopper **Model** ARS200-MS4

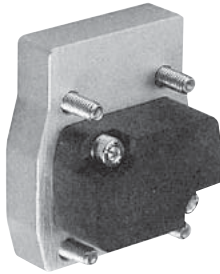


Damper type

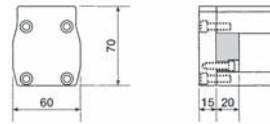
Unit weight 1.0Kg



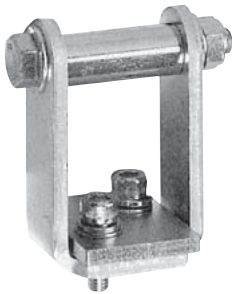
Name End cap **Model** ARS200-EC1



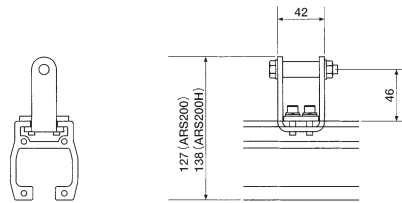
Unit weight 0.2Kg



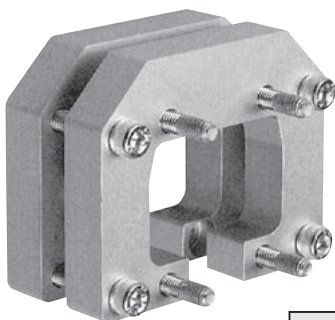
Name Safety bracket **Model** ARS200-SJ1



Unit weight 0.2Kg



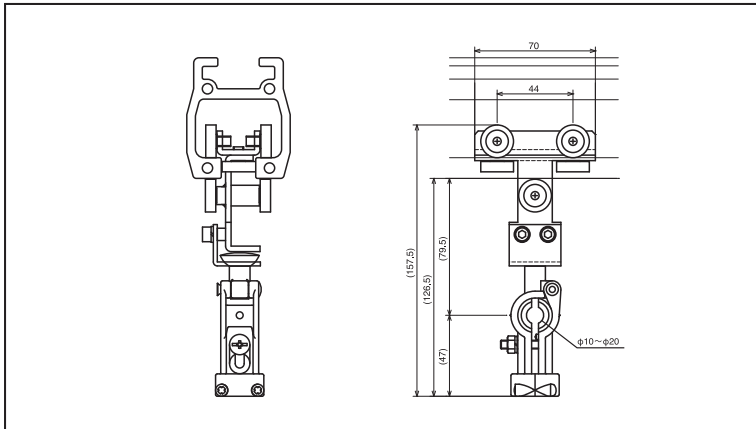
Name Connection kit **Model** ARS200-CN1



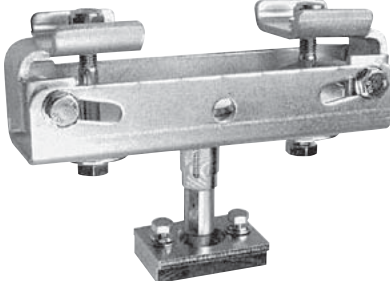
Unit weight 0.4Kg



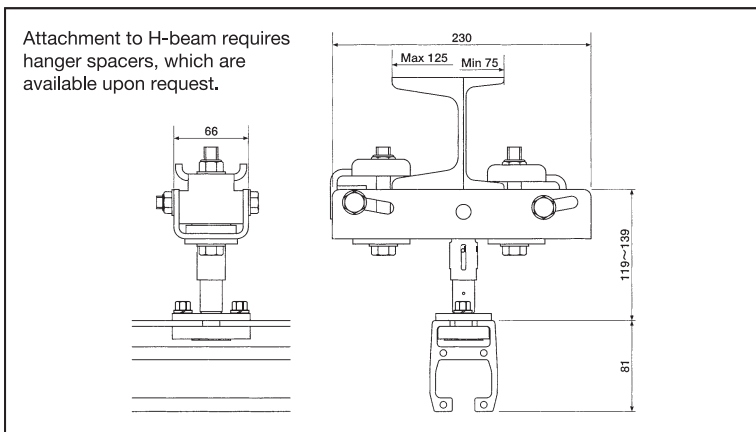
Name	Horse trolley	Model	ARS200-HT4		
			<table border="1"> <tr> <td>Unit weight</td> <td>0.2Kg</td> </tr> </table>	Unit weight	0.2Kg
Unit weight	0.2Kg				

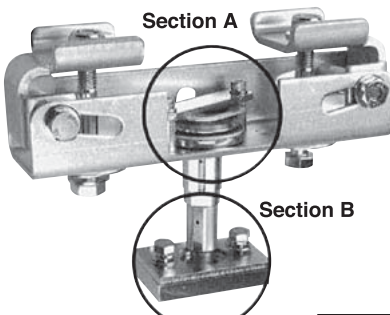


ARS200H Series

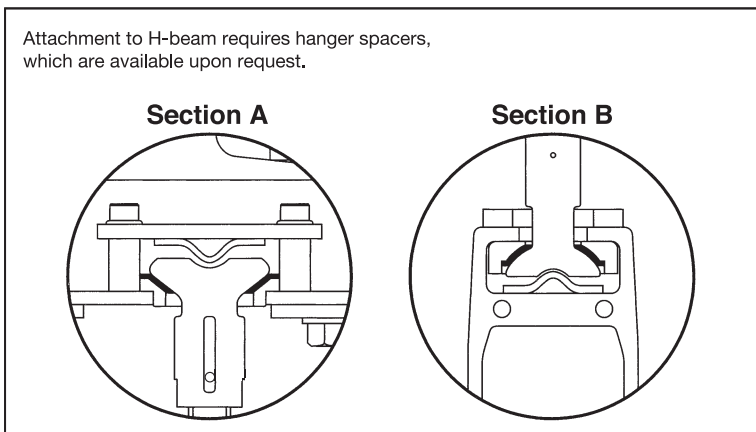
Name	Hanger	Model	ARS200H-HN1		
			<table border="1"> <tr> <td>Unit weight</td> <td>3.1Kg</td> </tr> </table>	Unit weight	3.1Kg
Unit weight	3.1Kg				

Standard type

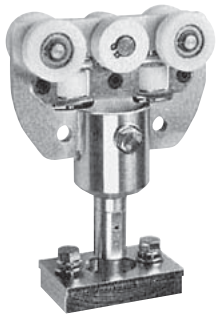


Name	Hanger	Model	ARS200H-HN1-F		
			<table border="1"> <tr> <td>Unit weight</td> <td>3.2Kg</td> </tr> </table>	Unit weight	3.2Kg
Unit weight	3.2Kg				

Standard lift-preventive type

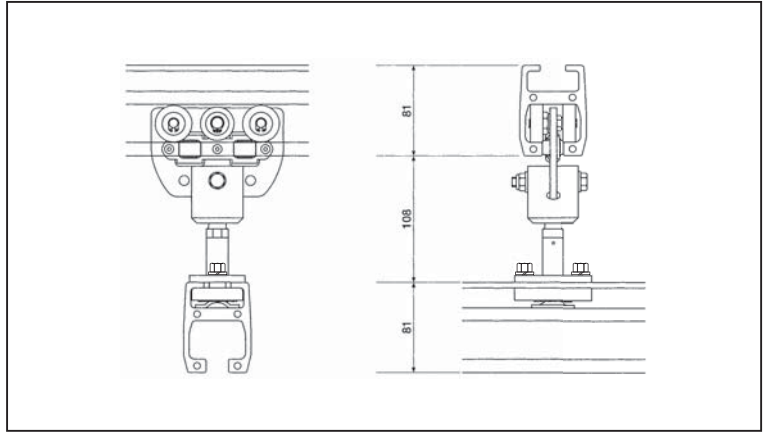


Name End track **Model** ARS200H-ET4

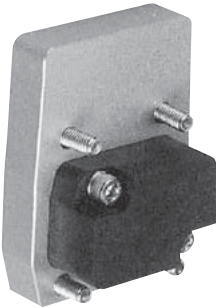


Both-side hinge type

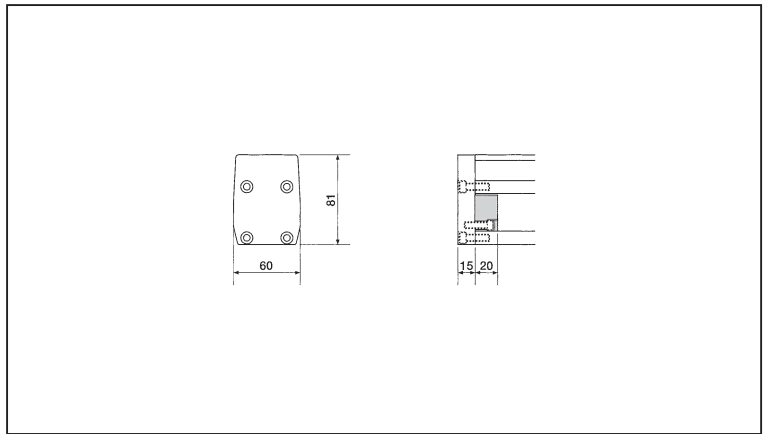
Unit weight 1.5Kg



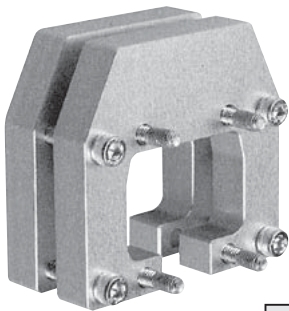
Name End cap **Model** ARS200H-EC1



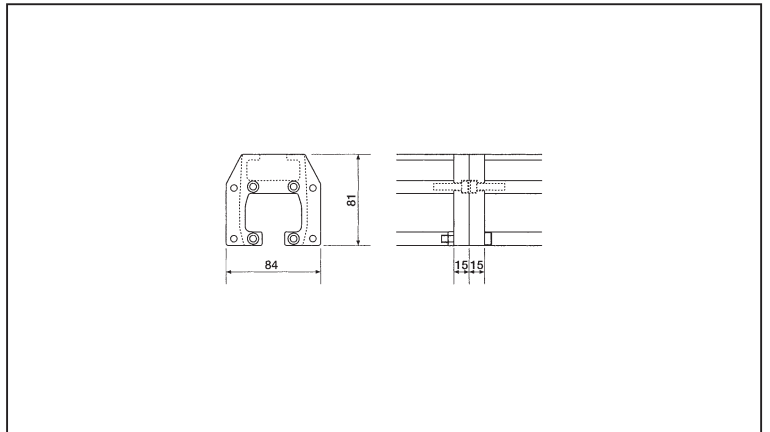
Unit weight 0.3Kg



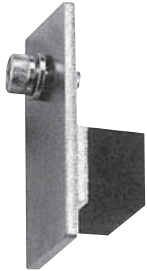
Name Connection kit **Model** ARS200H-CN1

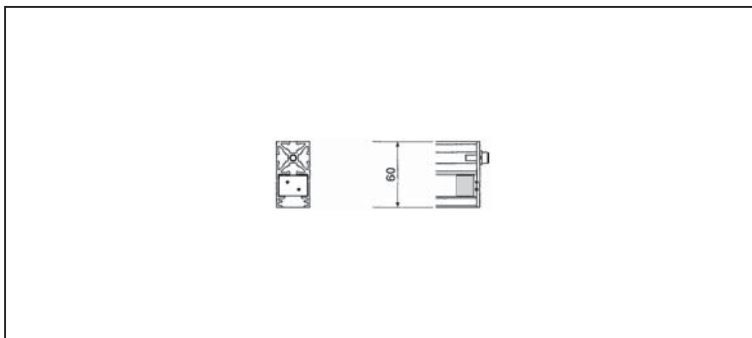


Unit weight 0.5Kg

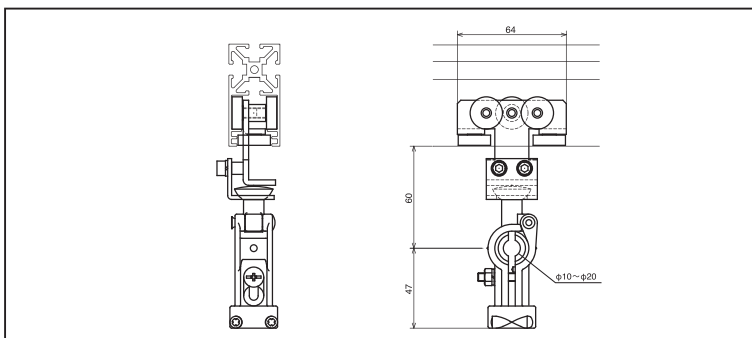


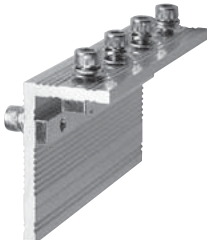
ARS050 Series

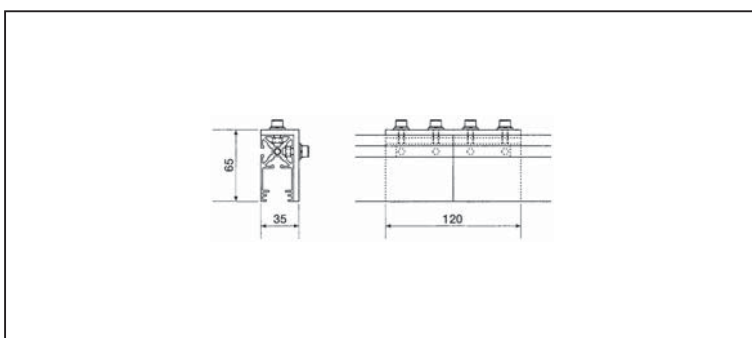
Name	End stopper	Model	ARS050-ES2
			
Unit weight			0.1Kg




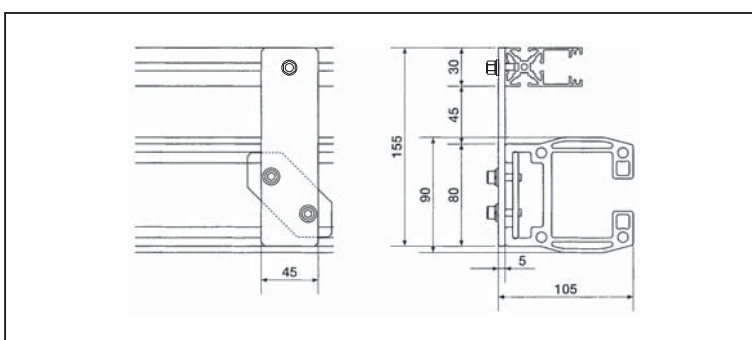
Name	Hose trolley	Model	ARS050-HT4
			
Unit weight			0.2Kg

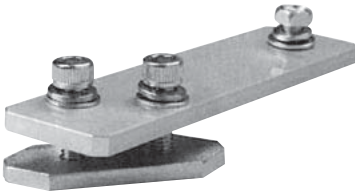


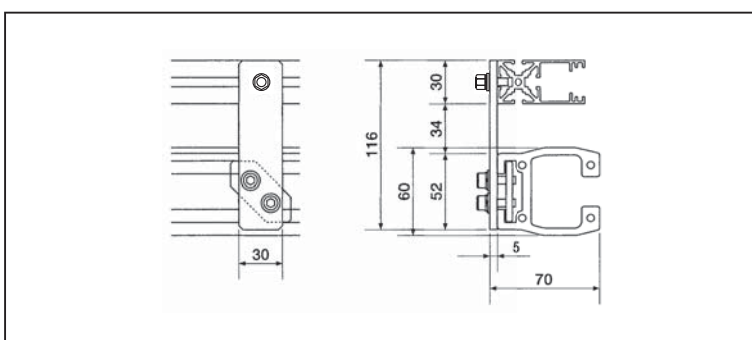
Name	Connection kit	Model	ARS050-CN1
			
Unit weight			0.3Kg



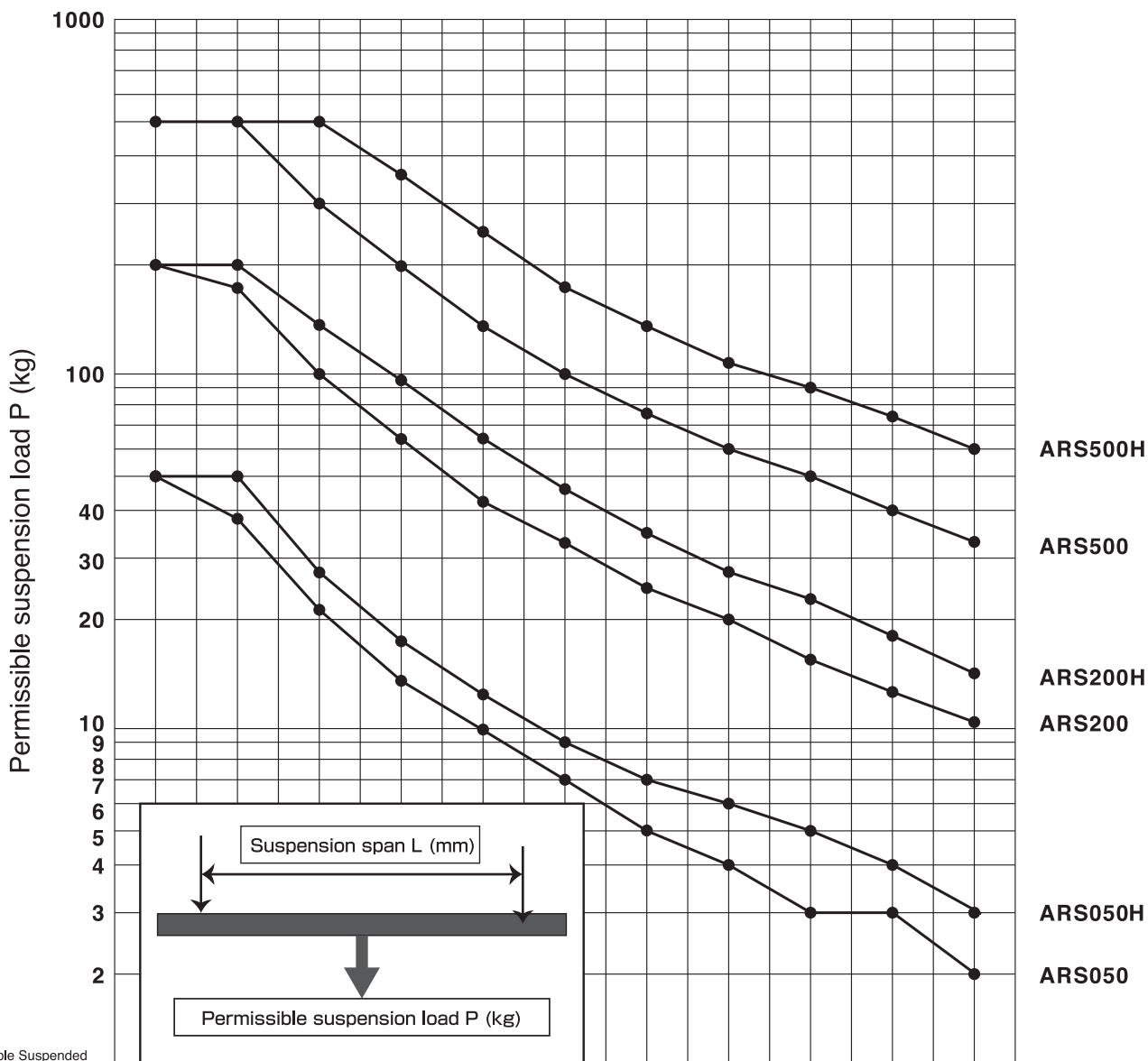
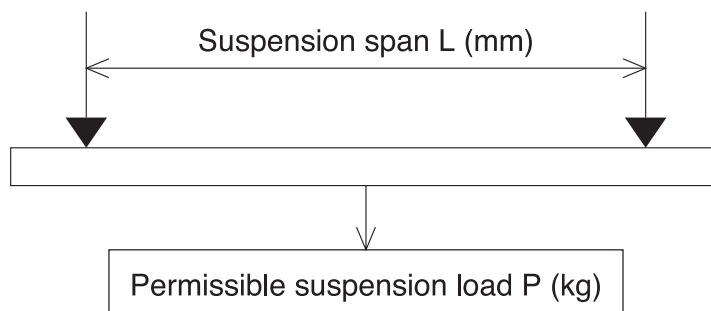
Name	Rail hanger	Model	ARS500-RH1
			
Unit weight			0.2Kg



Name	Rail hanger	Model	ARS200-RH1
			
Unit weight			0.1Kg



Relationship Between The Suspension Span And The Permissible Suspended Load



Permissible Suspended Load List (kg)

Type \ Suspension span L (mm)	1000	1500	2000	2500	3000	3500	4000	4500	5000	5500	6000
ARS500H	500	500	500	364	253	186	142	112	91	75	63
ARS500	500	500	310	199	138	101	78	61	50	41	34
ARS200H	200	200	147	94	65	48	37	29	24	19	16
ARS200	200	177	100	64	44	33	25	20	16	13	11
ARS050H	50	50	28	18	13	9	7	6	5	4	3
ARS050	50	38	21	14	10	7	5	4	3	3	2

■ For inquiry or request

■ Sales Outlets

TOYOTSU TEC CORPORATION

50, Higashisumiyoshi, Tsutsumi-cho, Toyota, Aichi 473-0932, Japan
Tel: +81-565-53-3211 Fax: +81-565-53-1293
<https://www.toyotsu-tec.net>

-
- **The specifications of products which appear in this catalog may be changed at any time without prior notice.**
 - **Due to printing conditions, the product colors which appear in this catalog may differ somewhat from the actual product color.**
 - **Do not use the product for purposes other than those indicated in this catalog. Please contact TOYOTSU TECHNO CORPORATION before attempting to use the product for any purpose not indicated in this catalog.**
 - **Unauthorized excerption, copying, or reproduction of this catalog content is prohibited.**

2017-06